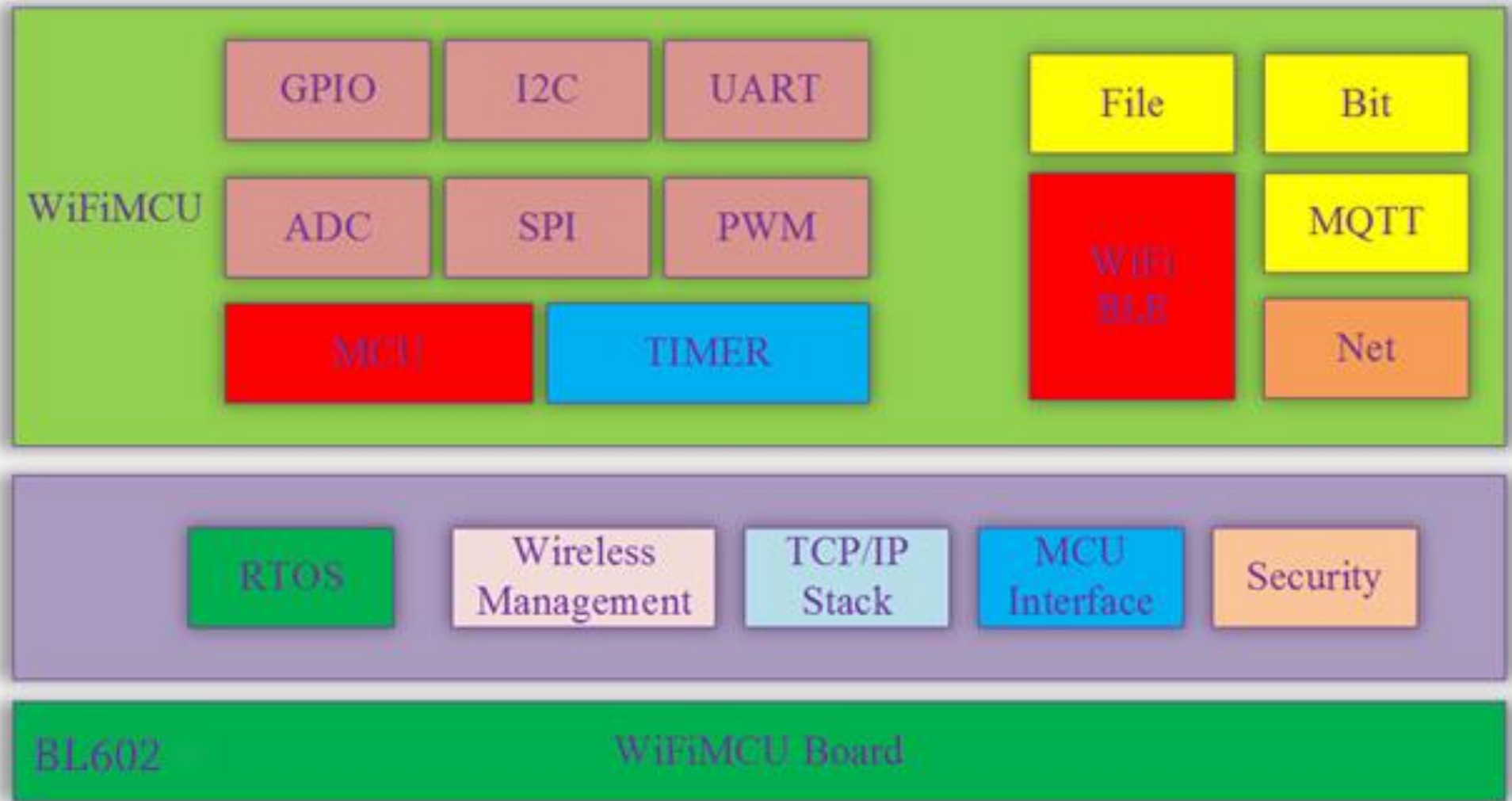


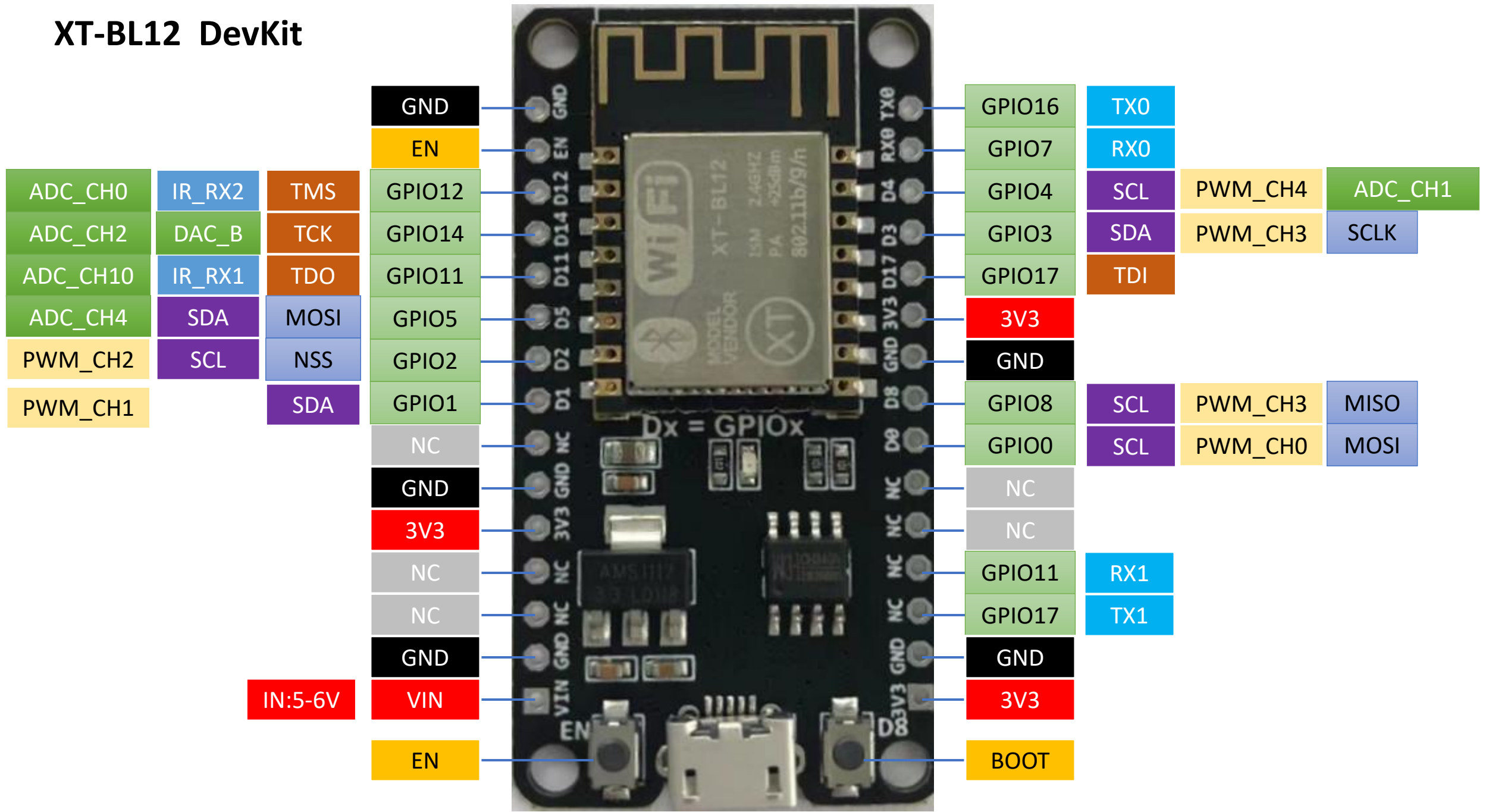
XT-BL12开发板快速使用

www.bl602.fun

XT-BL12 Chip Block



XT-BL12 DevKit



使用git下载SDK和工具链

- 百度网盘链接: <https://pan.baidu.com/s/123dQAG2IBEDT8VbtzN0TFQ>
- 提取码: d4qw

编译例子程序

- `cd bl_iot_sdk/customer_app/bl602_demo_wifi`
- `./genromap`
- 在当前路径下生成build_out目录, 包含bl602_demo_wifi.bin

烧写前硬件准备

- 用USB线把开发板连入电脑，系统会多出一个串口，使用此串口烧写固件以及程序运行时的调试；注意，不同操作系统下串口名会有差异
- 打开烧录软件(bl_iot_sdk/tools/flash_tool/BLDevCube.exe)
- 芯片选择BL602/604，启动后选择对应的串口
- 按住开发板的D8键，再点击一次EN键，松开EN后再松开D8，使开发进入下载模式

烧写配置

The screenshot shows the 'Simple Flasher' application window. On the left, there is a configuration panel with the following settings:

- Interface: Uart
- COM Port: /dev/tty.usbserial-14100
- Uart Rate: 2000000
- JLink Rate: 1000
- Board: loTKitA
- Xtal: 40M
- Chip/Flash: BL602C-20-Q21-G0

Below these settings are 'Refresh' and 'Clear' buttons. On the right side, there are checkboxes for 'Erase All' and 'Single Download'. A list of components to be flashed is shown with 'Browse' buttons and file paths:

- Factory Params
- Partition Table: /Users/bouffalolab/Workspace/Code/Internal/bouffalo_development_environment/bl602/partition/
- Boot2 Bin: /Users/bouffalolab/Workspace/Code/Internal/bouffalo_development_environment/bl602/bulltin_im
- Firmware Bin: /Volumes/Transcend/Customers/Zengge/bl_iot_sdk/customer_app/zengge_light/build_out/zengge
- Media
- Romfs
- MFG Bin
- AES-Encrypt: Key (16 Bytes) and IV (16 Bytes) fields are present but empty.

At the bottom, there is a progress bar labeled 'verifying' which is 100% complete. To the right of the progress bar are 'Log', 'Build', and 'Download' buttons. Below the progress bar is a terminal window with the following output:

```
finished
sha caled by dev: 05929badfe23742f376327300ab956e37f104bff0d0d75fbfd78c1dc064905be
verify success
===== flash read =====
read 2048/4512
read 4096/4512
read 4512/4512
flash read time cost(ms): 68.571044921875
finished
```

烧写配置

- 内置Flash版本，请选择第一项BL602C-20-Q21-G0
- Board和Xtal选择会决定DTS配置文件，如
 - `bl_iot_sdk/tools/flash_tool/bl602/device_tree/bl_factory_params_loTKitA_40M.dts`
- Boot2的路径
 - `bl_iot_sdk/tools/flash_tool/img/blsp_boot2_PLL.bin`
- bin在之前编译项目build_out目录下，如
 - `bl_iot_sdk/customer_app/bl602_demo_wifi/build_out/bl602_demo_wifi.bin`

运行

- 烧写成功后，使用串口工具，打开串口，模式为2000000-8-N-1
- 点击一次EN按键，使芯片正常启动，可以看到log输出

: